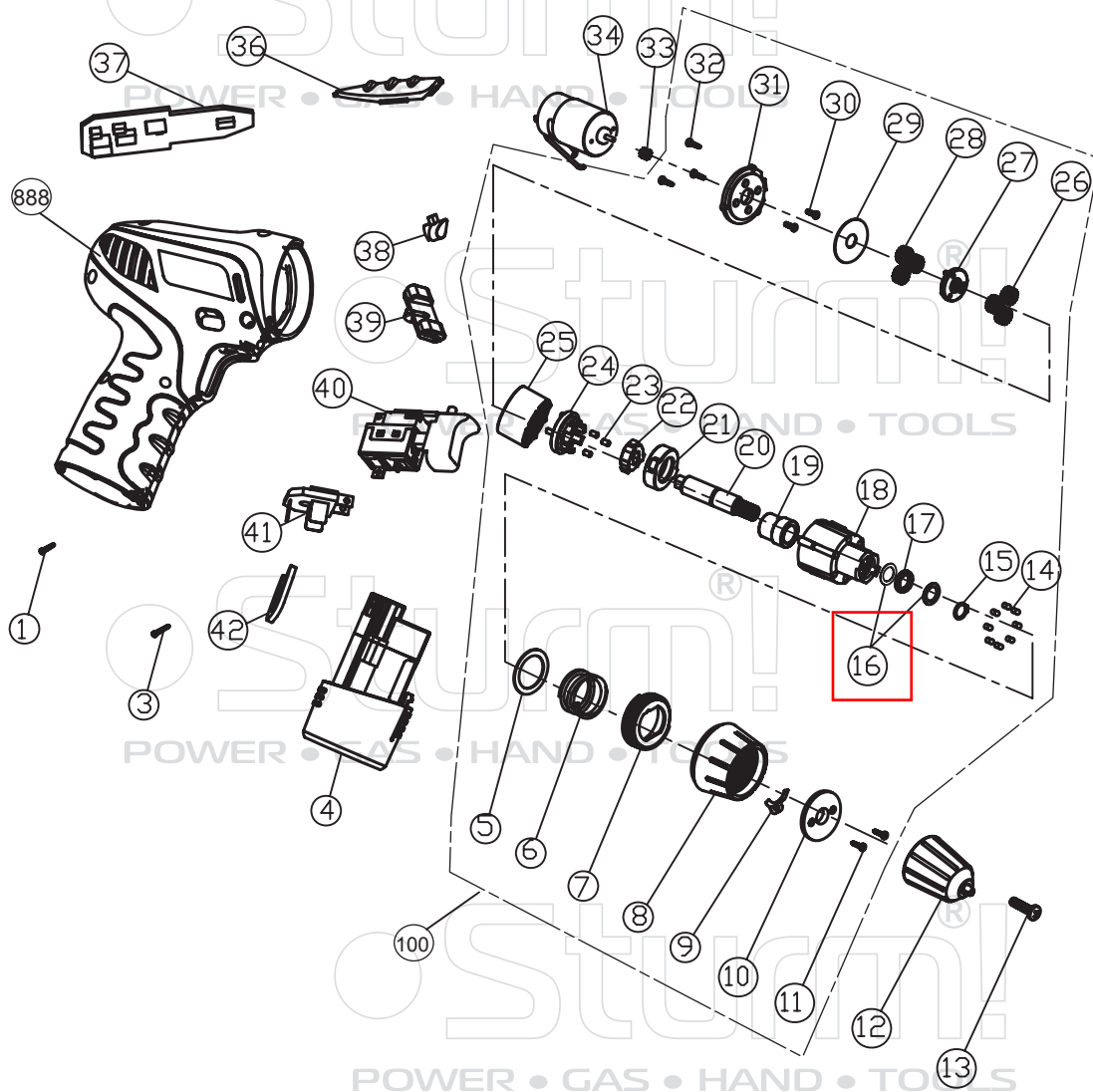


## CD3010E, CD3010L



NO.	DESCRIPTION	NO.	DESCRIPTION
1	SELFTAPPING SCREW ST2.9X12	23	PIN
3	SELFTAPPING SCREW ST2.5X12	24	PLANET BRACKET
4	BATTERY PACK (THREE CELLS LI-ION BATTERY)	25	INNER RING
5	RING	26	PLANET GEAR
6	SPRING	27	PLANET BRACKET
7	INNER THREADED RING	28	PLANET GEAR
8	TORQUE SETTING RING	29	WASHER
9	TORQUE POSITIONING SPRING	30	SELFTAPPING SCREW
10	HOLDER FOR SPRING	31	MOTOR FLANGE
11	SELFTAPPING SCREW	32	SELFTAPPING SCREW
12	CHUCK	33	MOTOR GEAR
13	CHUCK SCREW	34	MOTOR
14	BALL GROUP	36	DECORATIVE PLATE
15	FIXING RING	37	PCB
16	SMALL RING	38	LED TRANSPARENT COVER
17	SMALL BALL GROUP	39	DIRECTION SETTING BUTTON
18	GEAR BOX	40	SWITCH ASSEMBLY
19	SHAFT SLEEVE	41	POLE PLATE
20	SHAFT	42	CLIP
21	IMMOBILE RING	100	GEAR BOX ASSEMBLY
22	DRIVE FLANGE	888	HOUSING ASSEMBLY

ST20101230

Sturm!  
POWER • GAS • HAND • TOOLS